

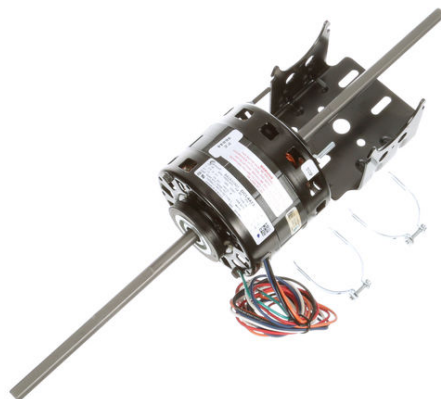
PRODUCT INFORMATION PACKET



Model No: DCL4423

Catalog No: DCL4423

1/6 HP Fan Coil / Room Air Conditioner Motor, 1550 RPM, 4 Speed, 115 Volts, 42 Frame, OAO
Fan Coil & Air Conditioner Motors



Regal and Century are trademarks of Regal Rexnord Corporation or one of its affiliated companies.
©2021 Regal Rexnord Corporation, All Rights Reserved. MC017097E





Nameplate Specifications

Output HP	1/6 Hp	Output KW	0.13 kW
Frequency	60 Hz	Voltage	115 V
Current	4.0 A	Speed	1550 rpm
Service Factor	1	Phase	1
Duty	Continuous	Insulation Class	B
Frame	42Y	Enclosure	Open Air Over
Thermal Protection	Automatic	Ambient Temperature	40 °C
UL	Recognized	CSA	Y
CE	N	Number of Speeds	4

Technical Specifications

Electrical Type	Shaded Pole	Starting Method	Across The Line
Poles	4	Rotation	Counterclockwise Lead End
Mounting	Resilient Rings	Motor Orientation	Horizontal
Drive End Bearing	Sleeve	Opp Drive End Bearing	Sleeve
Frame Material	Rolled Steel	Shaft Type	Flat
Overall Length	20.92 in	Shaft Diameter	0.500 in
Shaft Extension	8.5X.5X8.5 in		
Connection Drawing	618126	Outline Drawing	11927-051-S01

This is an uncontrolled document once printed or downloaded and is subject to change without notice. Date Created:10/07/2021

4

3

2

1

GENERAL INFORMATION:

SHAFT RUNOUT: .001 [.03] T.I.R. PER INCH LENGTH OF EXTENSION

END PLAY: .010[.25] TO .063[1.60]

BEARINGS: SLEEVE

MOUNTING POSITION: HORIZONTAL

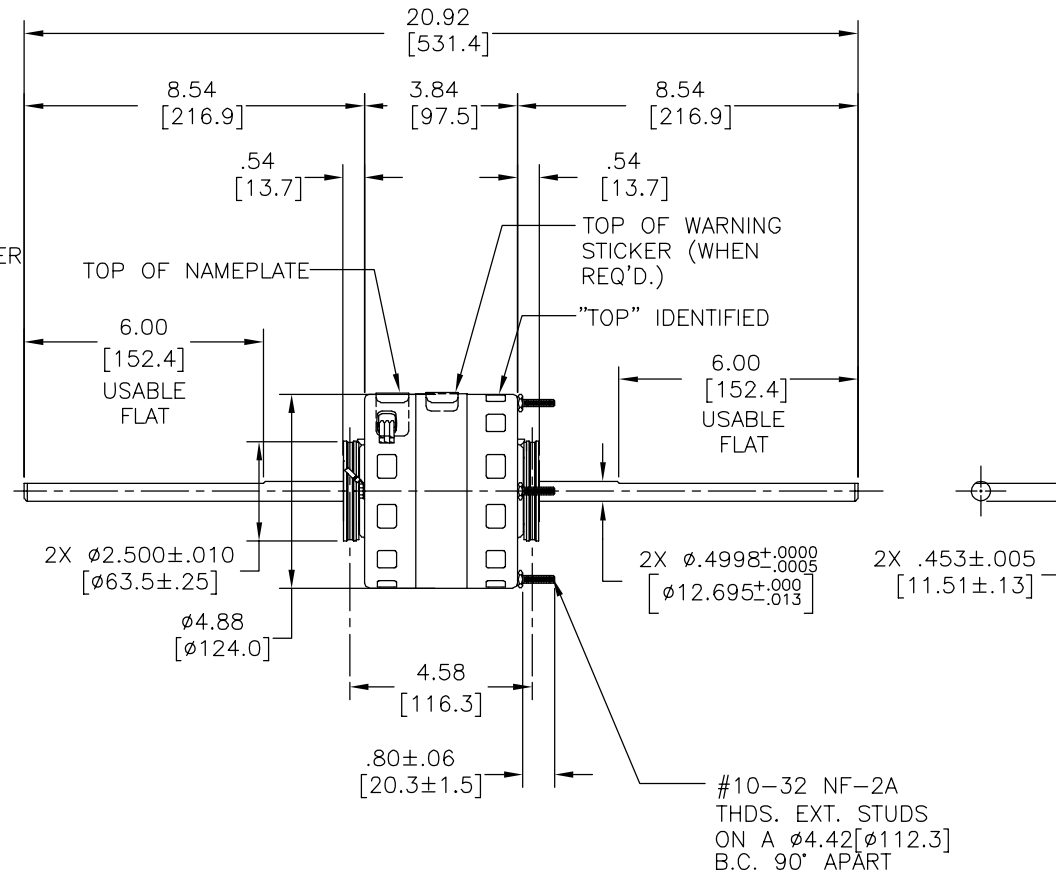
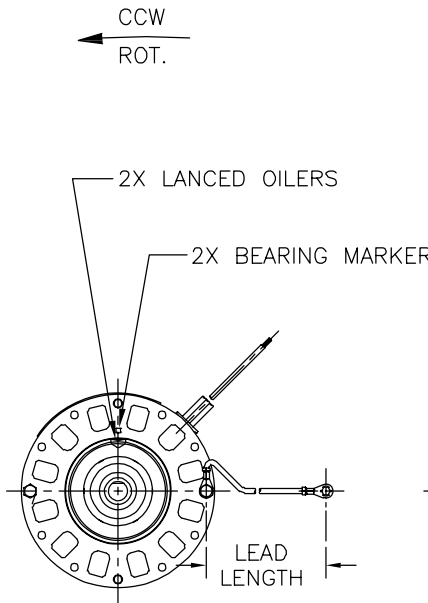
ELECTRICAL DATA:

OVERLOAD PROTECTOR: AUTOMATIC RESET (T.I. 7AM 304)

LEADS: NO. 18 GA., .03 [.8] THK., 125°C INSUL.

GROUND LEAD: NO. 18 GA., .03 [.8] THK. GREEN INSUL.

REV	ECO	REV BY	DATE	APPD	DATE
G	0026394	H.ZHOU	05-29-2012	B.SHEN	05-29-2012

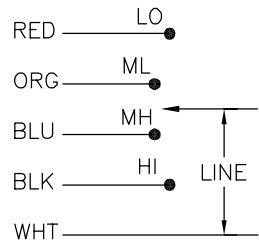


SEE NOTE 2

NAMEPLATE DATA:

EXTERNAL CONNECTION DIAGRAM

MODEL NO.: B42A90A01
 CUST. P/N: []
 HP: 1/6, 1/10, 1/12, 1/15
 ROT.: CCWLE
 RPM: 1550/4 SPD
 TYPE: FE
 FRAME: 42Y
 VOLTS: 115
 PH: 1
 AMPS: 4.0
 HZ: 60
 INS.: B
 AMB.: 40°C
 DUTY: AIR OVER
 CAP: -
 UL & CSA LOGO
 THERMALLY PROTECTED
 TYPE C



GREEN (GRD)	5.5/6.5 [140/165]	#10 EYELET
RED	29.0/31.0 [737/787]	.25 [6.4] SKIN
ORANGE	29.0/31.0 [737/787]	.25 [6.4] SKIN
BLUE	29.0/31.0 [737/787]	.25 [6.4] SKIN
BLACK	29.0/31.0 [737/787]	.25 [6.4] SKIN
WHITE	29.0/31.0 [737/787]	.25 [6.4] SKIN
COLOR	LENGTH	TERMINAL OR STRIP LENGTH

NOTE:

1. MOUNTING BASE AND 2X MOUNTING CLAMP ASSEMBLIES TO BE SHIPPED SEPARATELY IN EACH CARTON WITH MOTOR.
2. DISTRIBUTION PART NUMBER: DCL4423
GRAINGER PART NUMBER: 4UU51

MAIN FRAME - OLE	OPEN
END FRAME - OLE	OPEN
MAIN FRAME - LE	OPEN
END FRAME - LE	OPEN

CUST.	DISTRIBUTION SERVICE
-------	----------------------

PERFORMANCE CURVE NO.	TORQUE @ 1075 RPM (25°C)	APPROVED SAMPLE	UL COMPONENT FILE #	CCN #	CSA FILE #	CLASS #
C30180	9.6 OZ. FT.	A7009D	E46412	PRGY2	LR43341	4211-01

GEOMETRIC CHARACTERISTICS & SYMBOLS
 □ FLATNESS
 - STRAIGHTNESS
 < ANGLARITY
 ⊥ PERPENDICULARITY (SQUARENESS)
 // PARALLELISM
 ○ ROUNDNESS (CIRCULARITY)
 ∅ CYLINDRICITY
 △ PROFILE OF ANY SURFACE
 ∇ PROFILE OF ANY LINE
 ↗ RUNOUT
 ⊕ TRUE POSITION
 ⊙ CONCENTRICITY
 = SYMMETRY
 ASME Y14.5M 1994

REGAL-BELOIT CORPORATION (RBC) PROVIDES TECHNICAL ASSISTANCE TO OUR CUSTOMERS IN SEVERAL AREAS. SINCE RBC DOES NOT RECEIVE ALL DATA CONCERNING THE USE AND APPLICATION OF THE MOTOR, THE SUITABILITY OF THE MOTOR FOR THE APPLICATION MUST BE DETERMINED BY THE CUSTOMER.
 DIMENSIONS WITHOUT TOLERANCES ARE FOR REFERENCE ONLY.

DR BY: J WILLIAMS 08-11-2004
 APPD: J WILL 08-12-2004
 THIRD ANGLE PROJECTION
 EDS DATE 11-11-2011
 FORMAT REV H
 CONFIDENTIAL: THIS DRAWING AND ITS INFORMATION ARE THE EXCLUSIVE AND CONFIDENTIAL PROPERTY OF REGAL-BELOIT CORPORATION AND ARE NOT TO BE DISCLOSED, DUPLICATED, DISTRIBUTED OR OTHERWISE USED WITHOUT THE WRITTEN CONSENT OF REGAL-BELOIT CORPORATION. -ALL RIGHTS RESERVED.

REGAL REGAL-BELOIT CORPORATION
 DESCRIPTION: MODEL-RFHP-42FR OUTLINE
 SIZE: C DWG NO: 11927-051
 SCALE: NONE SHEET: 1

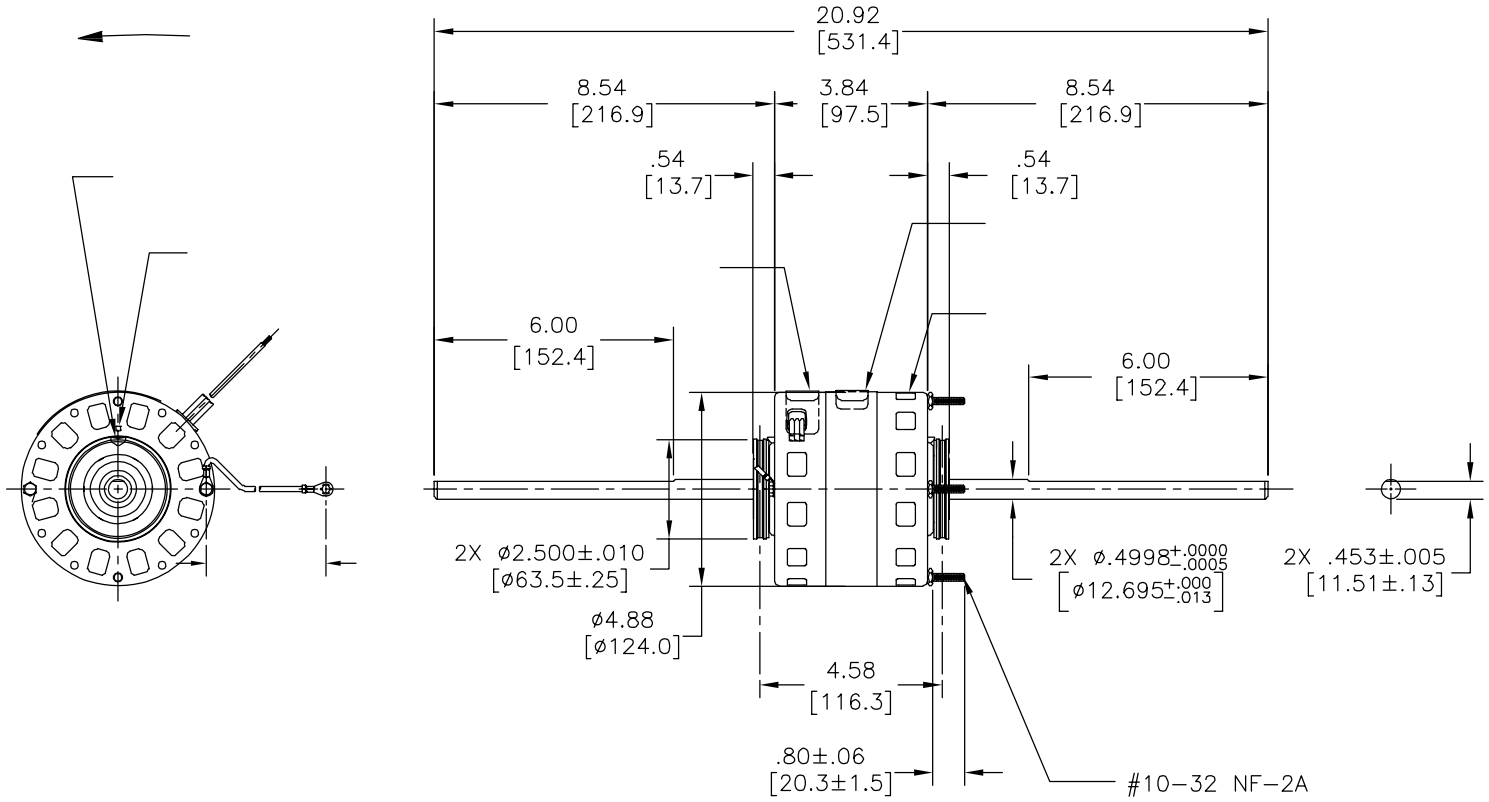
4

3

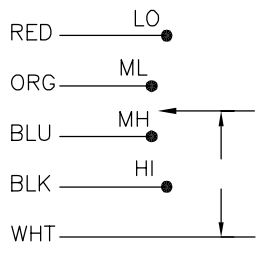
2

1

REVISION:	ECO	REVISADO POR:	FECHA:	APROBADO POR:	FECHA:
G	0026394	H.ZHOU	05-29-2012	B.SHEN	05-29-2012



MODEL NO.: B42A90A01
 CUST. P/N: []
 HP: 1/6,1/10,1/12,1/15
 ROT.: CCWLE
 RPM: 1550/4 SPD
 TYPE: FE
 FRAME: 42Y
 VOLTS: 115
 PH: 1
 AMPS: 4.0
 HZ: 60
 INS.: B
 AMB.: 40°C
 DUTY: AIR OVER
 CAP: -
 UL & CSA LOGO
 THERMALLY PROTECTED
 TYPE C



	5.5/6.5	
	[140/165]	
	29.0/31.0	.25 [6.4]
	[737/787]	
	29.0/31.0	.25 [6.4]
	[737/787]	
	29.0/31.0	.25 [6.4]
	[737/787]	
	29.0/31.0	.25 [6.4]
	[737/787]	

		CSA	
FILE #	CCN #	FILE #	CLASS #
C30180	9.6 OZ. FT.	A7009D	E46412 PRGY2 LR43341 4211-01

CARACTERISTICAS DE GEOMETRIA Y SIMBOLOS
 □ PLANICIDAD
 - RECTITUD
 < ANGULARIDAD
 ⊥ PERPENDICULARIDAD (A ESCUADRA)
 // PARALELISMO
 ○ REDONDEZ (CIRCULARIDAD)
 ∅ CILINDRICIDAD
 △ PERFIL DE CUALQUIER SUPERFICIE
 ∇ PERFIL DE CUALQUIER LINEA
 / VARIACION
 ⊕ POSICION REAL
 ⊙ CONCENTRICIDAD
 = SIMETRIA
 ASME Y14.5M 1994

A REQUIS. DEL RECEPTOR (RBC) OTRA MANERA SI SE LE FACILITA A LAS DIVERSAS AREAS. NUESTROS CLIENTES EN VARIAS Paises que RBC NO RECIBEN LOS DATOS EN RELACION AL USO Y A ANGLA 50 GRADOS DEL MOTOR. LA ELIMINACION ADECUADA DEL MOTOR DEL MOTOR SER DETERMINADA POR EL PULG. 005 - CLIENTE 0.1 0.4 FILETEAR ESQUINA EN R 0.20 mm 0.5 MAQUINAR SUPERFICIES DIMENSIONES SIN TOLERANCIA SON DE REFERENCIA SOLAMENTE DIMS METRICAS MOSTRADAS [PARENTESIS]

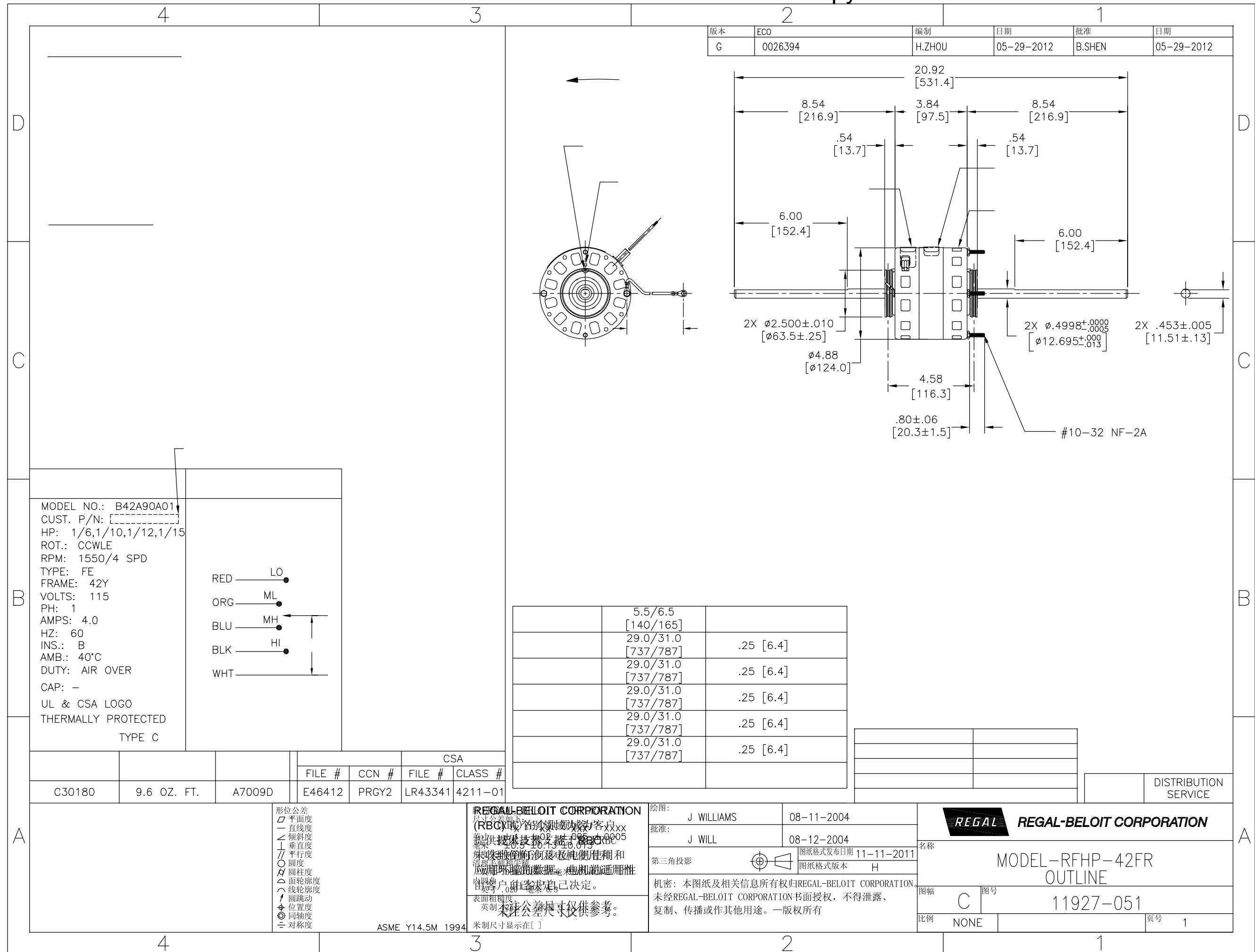
DIBUJADO POR: J WILLIAMS
 APROBADO POR: J WILL
 TERCER ANGULO DE PROYECCION
 FECHA EDS: 11-11-2011
 REV. FORMATO: H
 CONFIDENCIAL: ESTE DIBUJO Y SU INFORMACION SON PROPIEDAD DE USO EXCLUSIVO Y CONFIDENCIAL DE REGAL-BELOIT CORPORATION. Y NO DEBERAN SER REVELADOS, DUPLICADOS, DISTRIBUIDOS O USARSE DE OTRA MANERA SIN EL CONSENTIMIENTO ESCRITO DE REGAL-BELOIT CORPORATION. -TODOS LOS DERECHOS RESERVADOS.

REGAL REGAL-BELOIT CORPORATION

DESCRIPCION: MODEL-RFHP-42FR OUTLINE

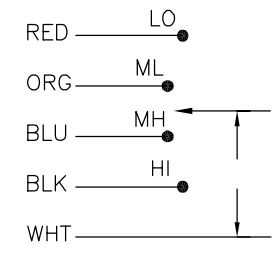
TAMAÑO: C NUMERO DE DIBUJO: 11927-051

ESCALA: NONE HOJA: 1



版本	ECO	编制	日期	批准	日期
G	0026394	H.ZHOU	05-29-2012	B.SHEN	05-29-2012

MODEL NO.: B42A90A01
 CUST. P/N: []
 HP: 1/6,1/10,1/12,1/15
 ROT.: CCWLE
 RPM: 1550/4 SPD
 TYPE: FE
 FRAME: 42Y
 VOLTS: 115
 PH: 1
 AMPS: 4.0
 HZ: 60
 INS.: B
 AMB.: 40°C
 DUTY: AIR OVER
 CAP: -
 UL & CSA LOGO
 THERMALLY PROTECTED
 TYPE C



	5.5/6.5	
	[140/165]	
	29.0/31.0	.25 [6.4]
	[737/787]	
	29.0/31.0	.25 [6.4]
	[737/787]	
	29.0/31.0	.25 [6.4]
	[737/787]	
	29.0/31.0	.25 [6.4]
	[737/787]	

				CSA	
FILE #	CCN #	FILE #	CLASS #		
C30180	9.6 OZ. FT.	A7009D	E46412	PRGY2	LR43341 4211-01

- 形位公差
- 平面度
- 直线度
- ∠ 倾斜度
- ⊥ 垂直度
- // 平行度
- 圆度
- ⊙ 圆柱度
- ⊖ 内圆度
- △ 面轮廓度
- ⌒ 线轮廓度
- ⤴ 圆跳动
- ⊕ 位置度
- ⊙ 同轴度
- ≡ 对称度

ASME Y14.5M 1994

REGAL-BELOIT CORPORATION
 (RBC) 的个别领域为客户...
 提供技术支持。...
 应用环境的数据。...
 由客户自行决定。
 表面粗糙度
 英制公差尺寸仅供参考。
 米制尺寸显示在 []

绘图: J WILLIAMS 08-11-2004
 批准: J WILL 08-12-2004
 第三角投影
 机密: 本图纸及相关信息所有权归REGAL-BELOIT CORPORATION。未经REGAL-BELOIT CORPORATION书面授权, 不得泄露、复制或传播作其他用途。一版权所有

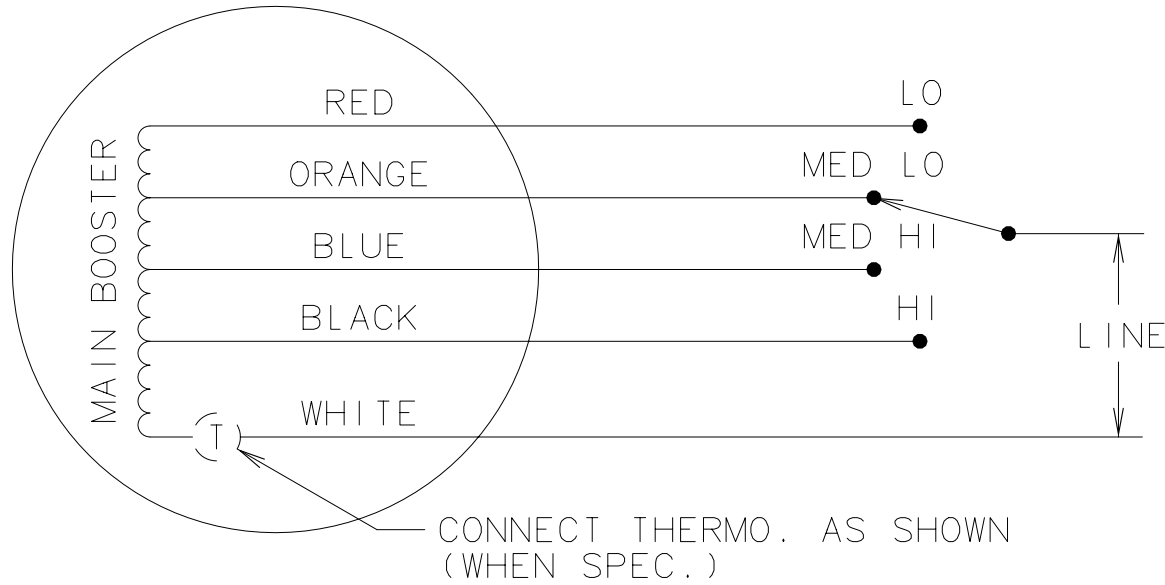
REGAL REGAL-BELOIT CORPORATION

名称: MODEL-RFHP-42FR OUTLINE
 图幅: C 图号: 11927-051
 比例: NONE 页号: 1

CONFIDENTIAL: THIS DRAWING AND ITS INFORMATION ARE THE EXCLUSIVE AND CONFIDENTIAL PROPERTY OF A.O.SMITH CORP. AND ARE NOT TO BE DISCLOSED, DUPLICATED, DISTRIBUTED OR OTHERWISE USED WITHOUT THE WRITTEN CONSENT OF A.O.SMITH CORP. - ALL RIGHTS RESERVED


QUALITY CONTROL NOTE

TO CHECK THE WINDINGS FOR OPENS, VERIFY THE CONTINUITY BETWEEN THE WHITE & RED LEADS.



CONNECT THERMO. AS SHOWN (WHEN SPEC.)

4 SPEED

				MATERIAL	PROCESS	A.O. SMITH A DIVISION OF A.O. SMITH CORPORATION ELECTRICAL PRODUCTS COMPANY TIPP CITY, OHIO		 COPYRIGHT 1992	
	DATE	CHANGED FROM	NOTICE			DRAWN BY	NPN NO.	DESCRIPTION	
				FIRST MODEL 326P152	SHEET 1 OF 1	BRADEN	17889	FR.42 TYPE FE DIAG. MLW	
				NO. OF MODELS	REFERENCE	SCALE	APPROVED BY	REL. DATE	
						NONE		12-15-87	
				LIMITS UNLESS OTHERWISE SPECIFIED:			GROUP CODE	FILE CODE	PART NO.
				FRACTIONS ± NONE ANGLES ± NONE DECIMALS ± NONE			FR42	CONEXT	618126

* CADAM DWG. -DO NOT ALTER

B#10 (EXT. CONN.)